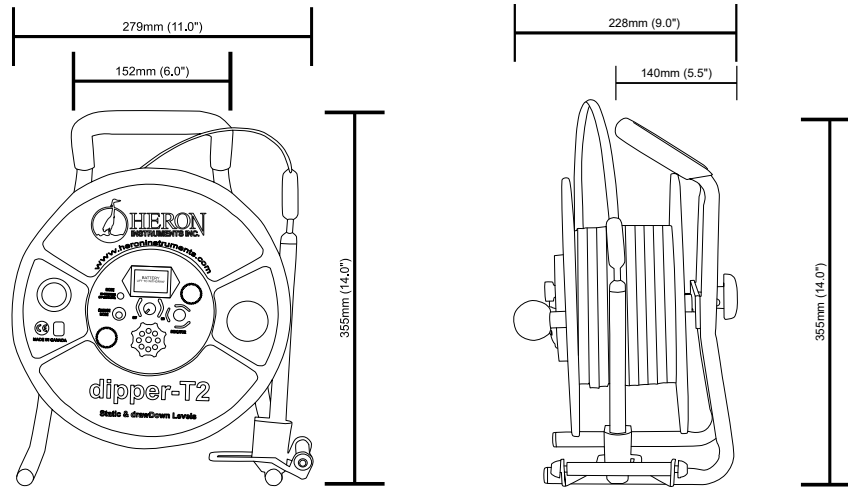


**Specification Sheet**

**dipper-T2 Water Level Meter**



		Specification
<b>General</b>	Certification(s)	- ASME B89.1.7-2009 & MIL-STD-45662A Certified, FED GGG-T-106F & EEC Class II Compliant - CE Certified
<b>Unit</b>	Plate Size/ Material	267mm (10.5") Nylon
<b>Tape</b>	Construction	High tensile steel
	Coating	Polyethylene
	Units of Measurement	Metric (mm) Imperial (1/100ft)
	Break Strength	127kg (280lbs)
	Tape Width	95.2mm (3/8")
<b>Probe</b>	Wetted Materials	- 316 Grade Stainless Steel - Viton - Nylon - ABS & Teflon
	Length	213mm (8.4")
	Diameter	16mm (.625")
	Removable?	No
	Depth Rating	IP68
<b>Electronic Panel</b>	Operating Mode(s)	- Static - Drawdown
	Power Source	9V Alkaline Battery
	Sensitivity Control	- Stainless Steel - Aluminum
	Audio/Visual Indication	- LED - 80dbi Buzzer
	Max Operating Temperature	80° C (176°F)
<b>Included</b>	Carry Case (material)	600D PVC Polyester
<b>Warranty</b>	Unit (Probe)	5 Years (Probe 1 year)